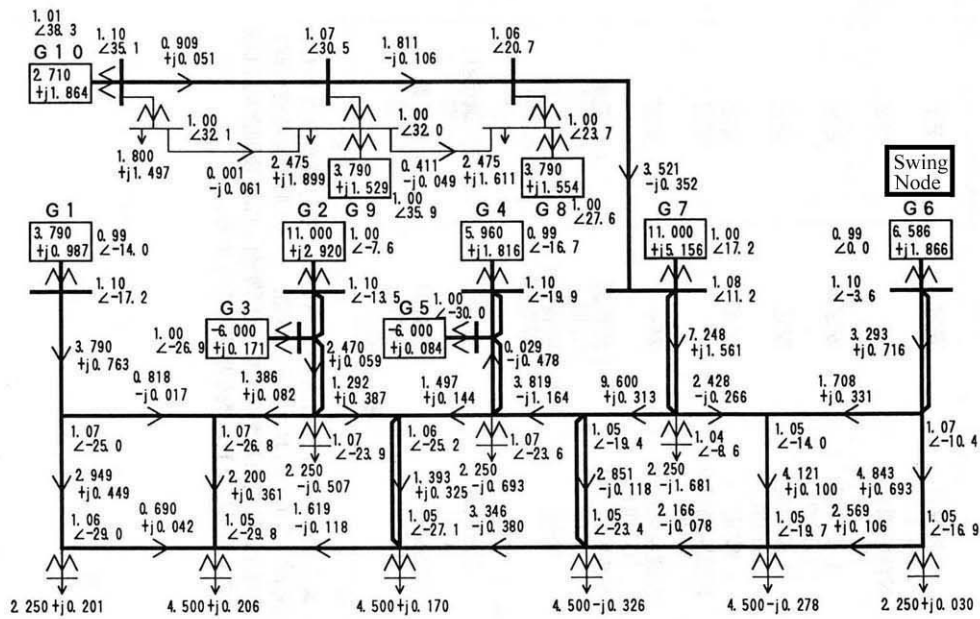


(a) Daytime Condition



(b) Nighttime Condition

Notes :

- (1) All lines in this figure represent 2 circuits of 3-phase transmission line.
Load flow data represent the amount of 2 circuits.
Only 1 route (2 circuits) data are described in 2 route (4 circuits) point.
- (2) The unit is 1,000MVA base pu.

Fig.2.3 IEEJ EAST 10-machine System Model (Load Flow Map)