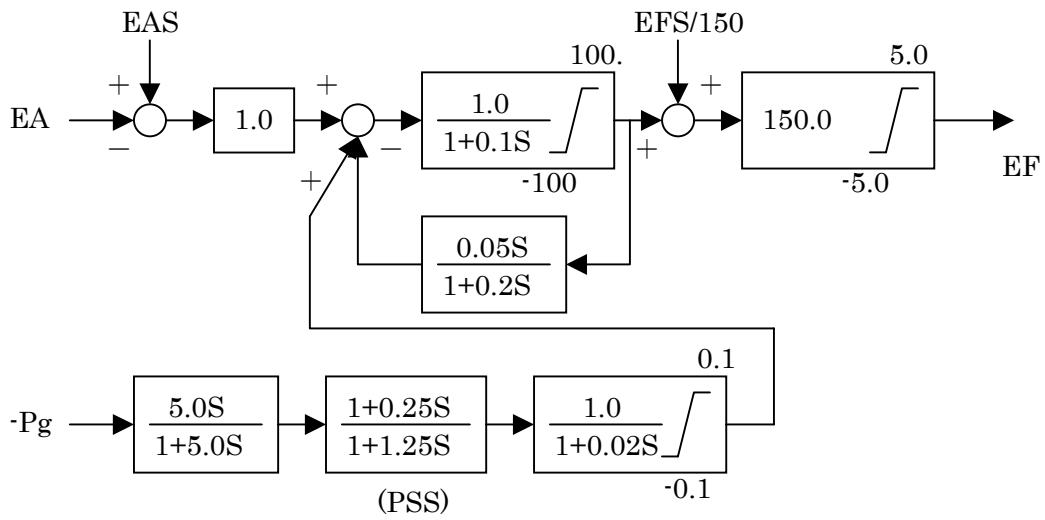


(a) Rotating Exciter Model (LAT=1)



(b) Thyristor Exciter Model with PSS (LAT=102)

Fig. 1.1 Excitation System Models