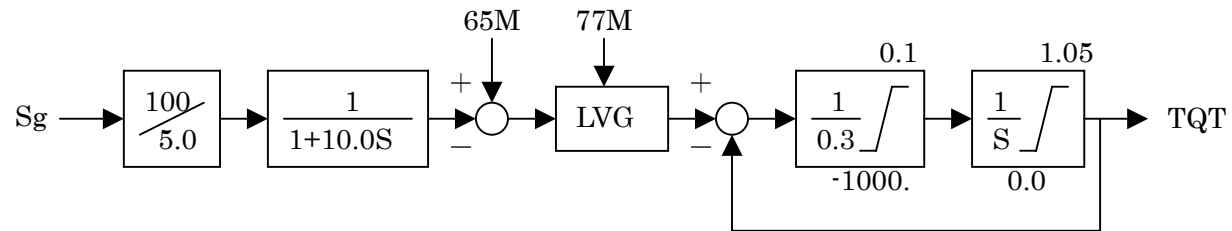
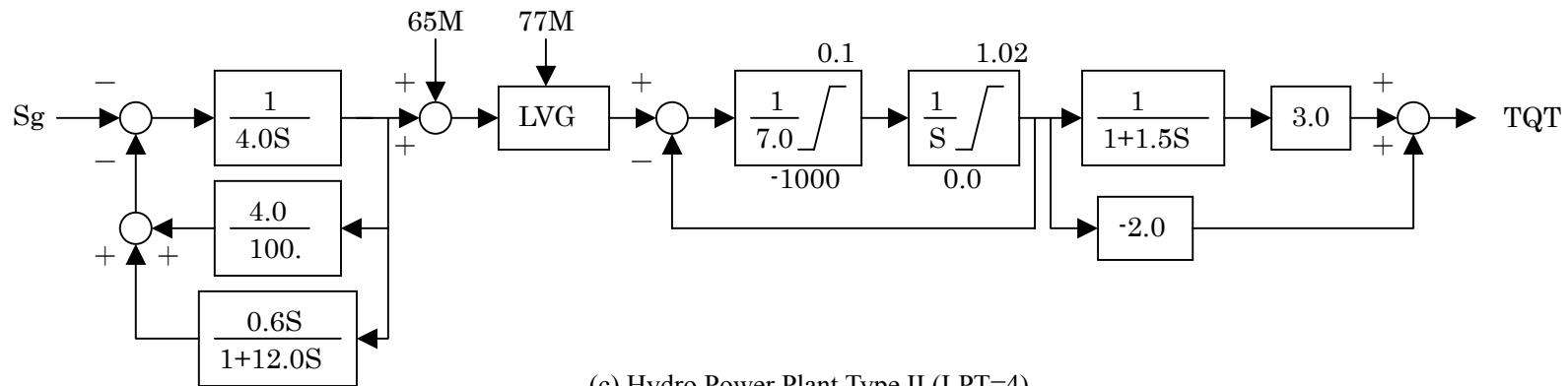


(a) Thermal and Nuclear Power Plants (LPT=1)



(b) Hydro Power Plant Type I (LPT=3)



(c) Hydro Power Plant Type II (LPT=4)

(Notes)

S_g : Generator Speed Deviation (= Rated Rotor Speed - Rotor Speed) , T_{QT} : Turbine Torque (PU in MW)
 65M : Turbine Load Reference, 77M : Turbine Load Limiter (PU in MW)

Fig. 1.2 Governor Models